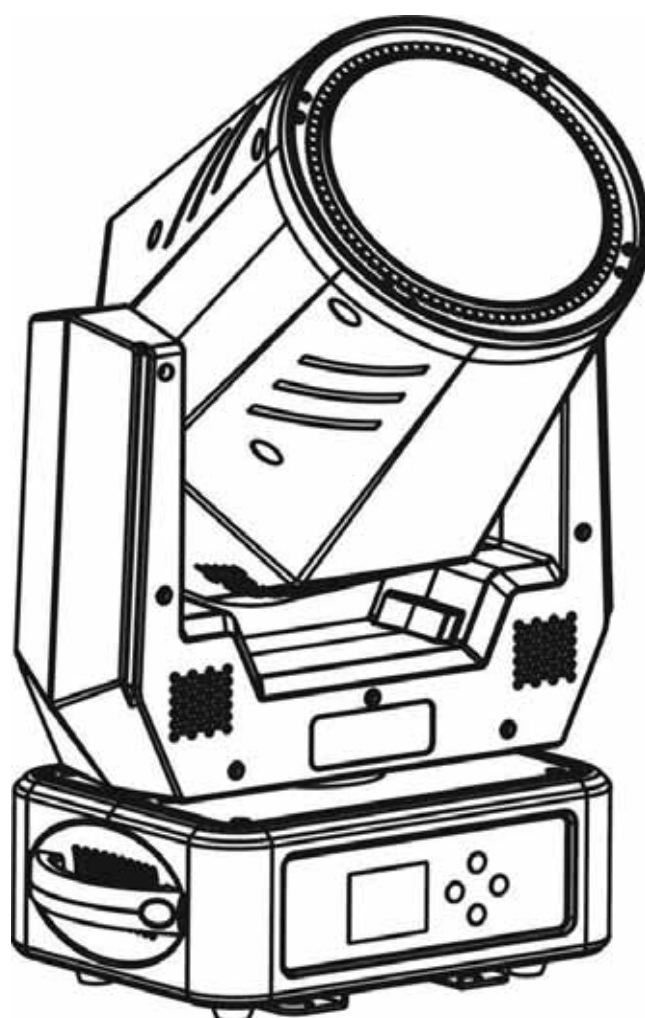


120W LED Sharpy Beam Moving Head Light with LED Ring User Manual

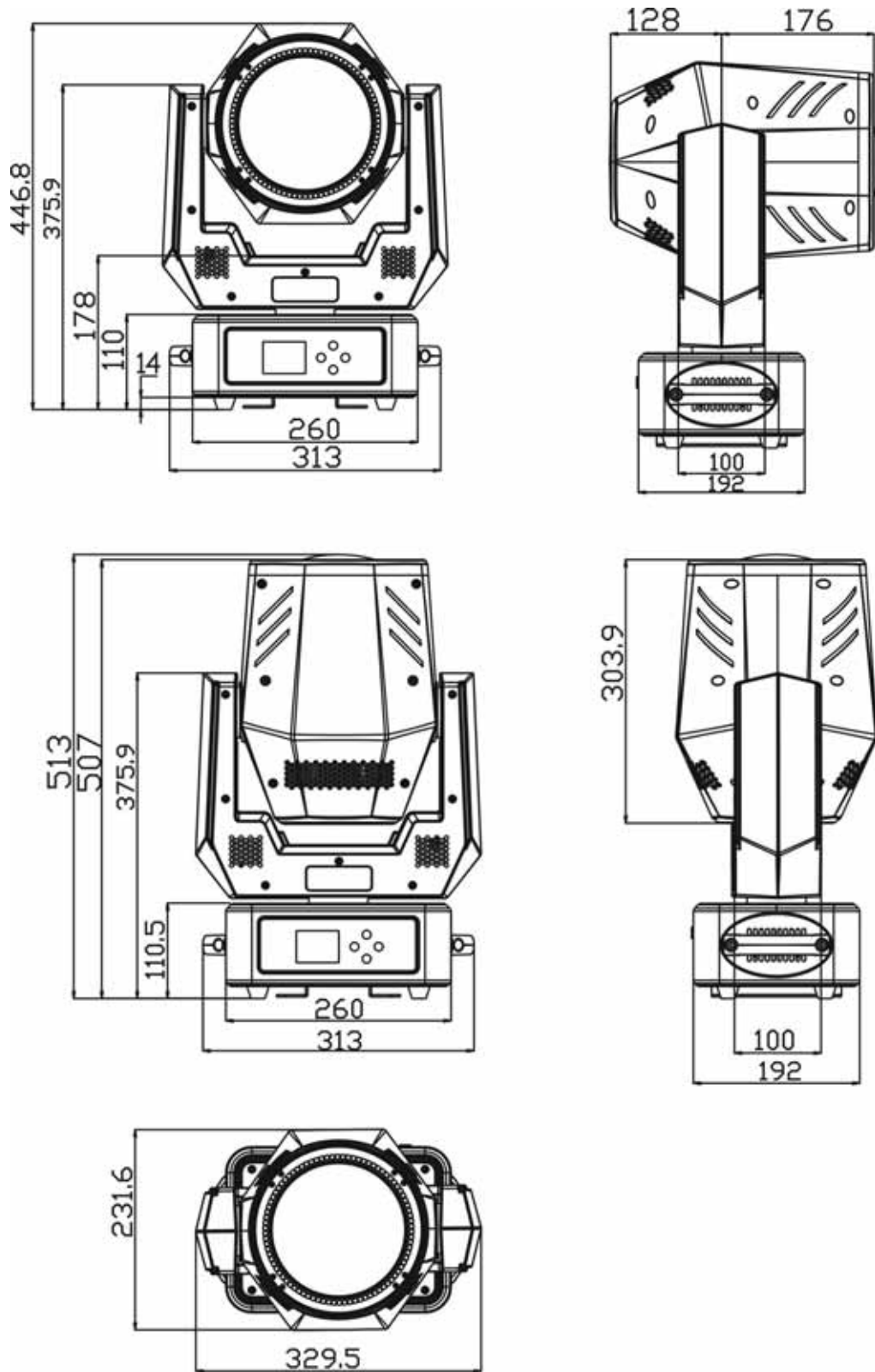


Menu

Dimensions.....	2
Before Using.....	3
What's inside.....	3
Open box instruction.....	3
A C power supply.....	3
Safety Instruction.....	4
Introduction.....	5
Optics.....	5
Scanning.....	5
Colour.....	5
Specification.....	5
Display.....	6
Software.....	6
Other functions.....	6
Power/DMX connection.....	6
Power.....	7
Protection class.....	7
Working environment.....	7
Size and weight.....	7
Certificate.....	7
Product Introduction.....	8
Installation.....	9
Installation requirements.....	9
Power supply connection.....	10
DMX Signal connection.....	10
DMX Address setting.....	11
Operating instruction.....	11
Control board function.....	11
Menu Map.....	12
Menu Instruction.....	13
DMX Channel Table.....	25

Dimensions

All dimensions are in millimeters



Before Using

What's inside

- Equipment x 1
- Power cable with Plug x 1
- User manual x 1
- Iron holder x 2

Open Instruction



Help preserve the environment! Ensure that this product is recycled at the end of its life. Your supplier can give details of local arrangements for the disposal of products.

Please open the equipment carefully ,and check all the spare parts are included or not.If any part of the cause of the failure due to improper transportation or carton,please keep the packing materials and immediately inform the shipper to check.If the equipment must be returned to the factory,the equipment should be use the original carton and packaging.

AC Power Supply

The equipment power supply is able to adapt to the wide input voltage.Please confirm the input voltage is in the scale of rated voltage。 The equipment can adapt to100V-240V AC voltage, Frequency50-60HZ。 It can not run a rheostat(variable resistor) or dimmer circuits.

Safety Instruction



WARNING!

Please read these instructions carefully, which includes important information about the installation, usage and maintenance of this product..

The following symbols are used to identify important safety information on the product and in this manual:



DANGER!
Safety hazard.
Risk of severe injury or death



DANGER!
Hazardous Voltage. Risk of lethal or severe electric shock.



WARNING!
Fire hazard



WARNING!
LED light emission. Risk of eye injury.



WARNING!
Refer to user

This product is I level protection equipment,so it is must be connected well and connected by the professional people.

- Make sure the voltage don't be above or below which the user manual rated values.
- Confirm the power cord is not a sword cut or damaged.
- Must be cut off the power supply in the condition of no using or cleaning.
- Only allowed with the power cord plug connection.Please do not force when unplug the power cord to pull the plug.。
- Be careful in the process of installation of equipment. Avoid touching the bare wire,otherwise it will suffer fatal shocks.。
- Don't look the light source directly,otherwise it will hurts the eyes.
- When choosing installation position of equipment and the equipment must be more than 0.5m distance between objects.
- Please use the equipment wires appropriate.
- Without the manufacturer's authorization or laypeople don't remove, repair and modification of equipment.
- The maximum operating temperature is 40°C, don't operate the equipment when it is over 40°C
- Do not connect the equipment to the dimmer equipment
- Under 120V voltage,output power don't series more than 4 pcs equipment,voltage 230V.Output power don't series more than 8 pcs

Introduction

Optics

- LED:
 - LED:1x120W white LED
 - 84x0.2W RGB LEDs, creating a halo effect, which can be controlled individually
- LED color temperature: 7000K
- Beam angle: 1. °
- Life span: 50000H, low power consumption, energy saving and environmental protection

Scanning

Pan / tilt operation:

- 8bit and 16bit fine-tuning
- Smooth and precise positioning
- Pan : 540 ° or 640 °, Tilt 220 °
- The scanning position can be memorized, and it will be reset automatically after no expected operation.
- Pan and tilt with error correction function

Colour

- Color wheel: 14 colors + Open, the color wheel has half-color effect and continuous forward and reverse of the color wheel.
- The halo composed of 86*0.2W RGB LEDs can show dynamic effects, and the effects can be combined.

Specification

- 3 DMX channel modes: 21CH / 44CH / 128CH international standard DMX512 channels
- Static gobo wheel: 21 fixed patterns + white circles, pattern jitter effect, continuous forward and reverse patterns.
- Electronic focusing, ultra-smooth adjustment

- Frost filter for wash effect
- Colorful mirror effect plate
- Prism: one 48 prism and one eight prism, which can be rotated in the forward and reverse directions
- 4 control modes: DMX512, Artnet, voice control, master-slave
- Spot angle: 1 °
- Strobe effect :Puls Random、 Ramp up Random、 Ramp down Random、 Random strobe、 Strobe Breakeffect, 5s.....1s、 Strobe0-20Hz。
- The illumination of 5 meters at 1 ° is 190,000 Lux.
- Halo effect, can chase, horse race effect.

Display

- 2.4-inch TFT color display
- High anti-interference four-button touch button
- The display board can be reversed by 180 °, which is suitable for installation in unreasonable positions.

Software

- Software update :Update via DMX link
- Display the lamp usage time, which is convenient for customers to understand the lamp usage in time
- LED refresh frequency: 3000Hz
- 4 kinds of dimming curve:Linear Dimmer、 Sqaure Dimmer、 .Sqaure Dimmer、 S-Curve Dimmer
- Dimmer mode: 2 kinds.(LED and Halogen)

Other functions

- Setting and addressing: RDM
- ArtNet control: RJ45 input and output
- Fan cooling (fan changes speed with temperature change)
- LED temperature detection system to protect the life of light

Power / DMX connection

- Power connection: PowerCON power cable input and output

- DMX XLR socket : 3 Pin& 5 Pin XLR socket input, output

Power

- AC100-240V 50/60HZ
- Power consumption: 280W

Protective class

- Housing material: ABS plastic fireproof material
- Waterproof level: IP20

Working environment

- Indoor working temperature: -20 ° C ~ + 40 ° C

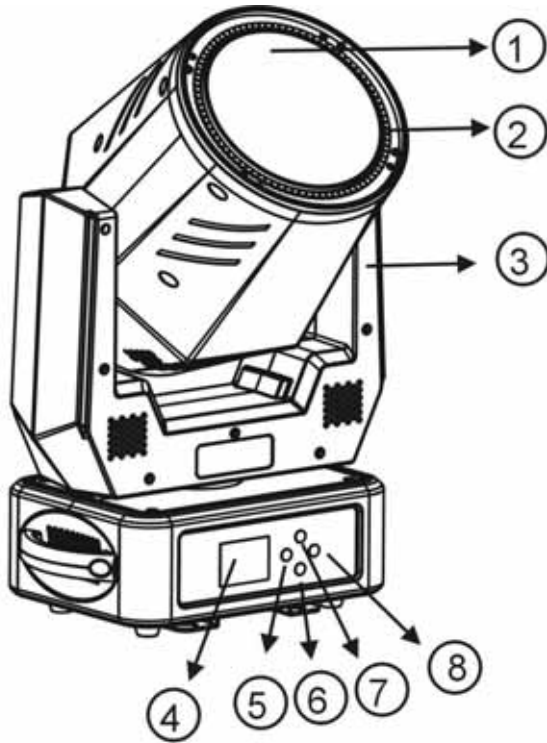
Size and weight

- Packing size: 410x290x670mm
- Net weight: 16.4KG
- Gross weight: 18.6KG

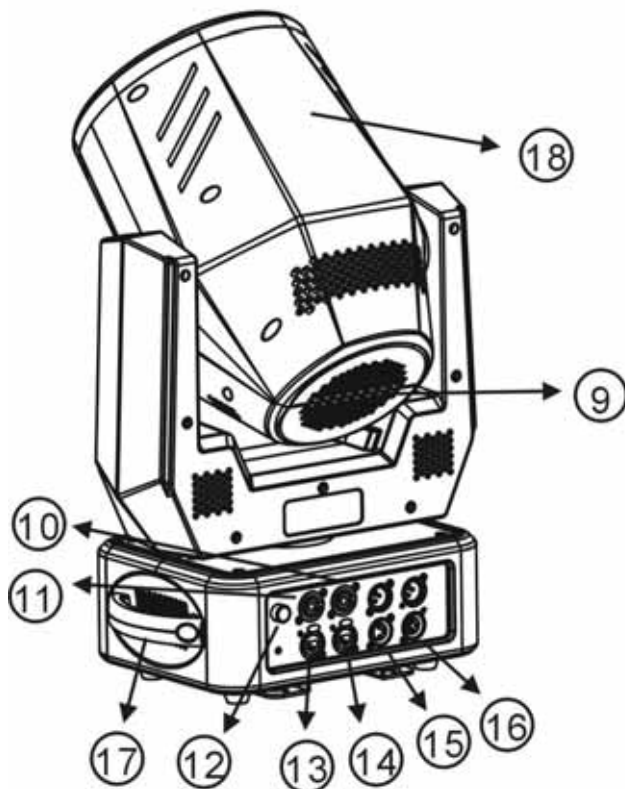
Certification

- CE,ROHS

Product Introduction



- ① Lens
- ② Ring
- ③ Arm
- ④ LCD Display
- ⑤ Menu-button
- ⑥ Down-button
- ⑦ UP-button
- ⑧ Enter-button

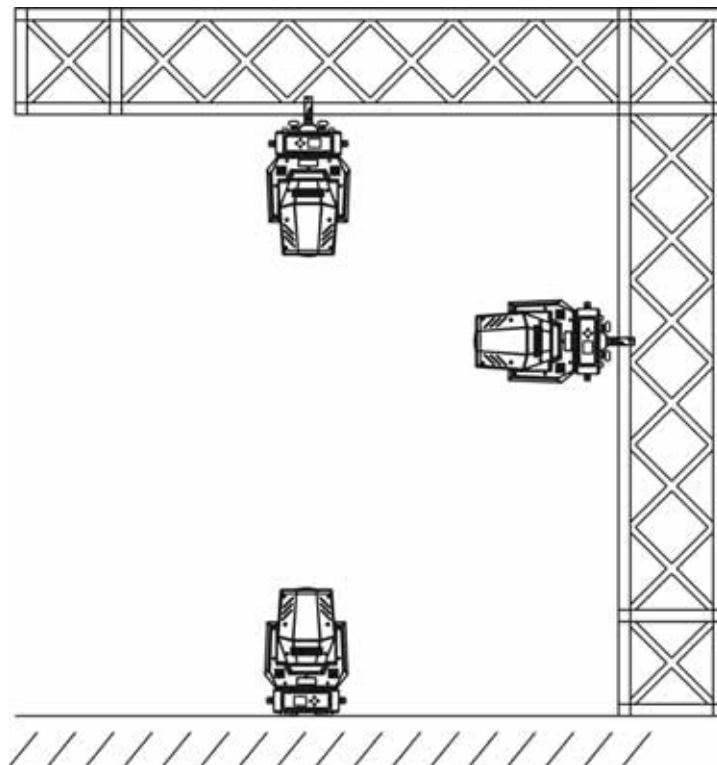


- ⑨ Fan
- ⑩ Power output
- ⑪ Fuse
- ⑫ Power input
- ⑬ RJ45-in
- ⑭ RJ45-out
- ⑮ DMX output
- ⑯ DMX input
- ⑰ Carrying handles
- ⑱ Head

Installation

Installation Requirements

- This equipment can be used in many places, it can hang and put on the ground.
- Choosing a suitable place to put or hang the equipment when installation. Must be use the special screws and hook to make sure the lamp's weight is in the weight range.
- When installing the equipment, ensure no inflammable and explosive goods at 0.5 meter distance.
- Please ask the professionals to install the equipment, any improper installation will cause personal injury or material damage.
- To prevent others entering the working areas below, the installation or maintenance of equipment with suitable and stable platform
- The equipment must be placed in ventilated place, at least 50 cm from the ground, please ensure that the vent without clogging.



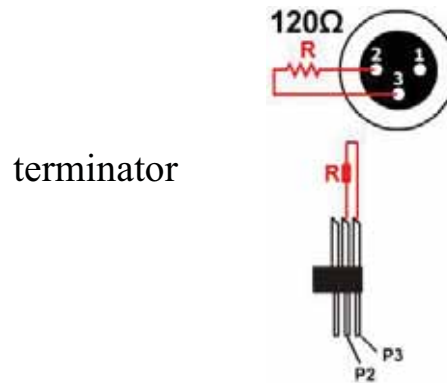
Power supply connection

The equipment can be used in the wide voltage input. Please make sure the voltage is the scale of rated voltage when connecting the power. The equipment can adapt to 100V to 240 V AC voltage and 50-60 Hz.

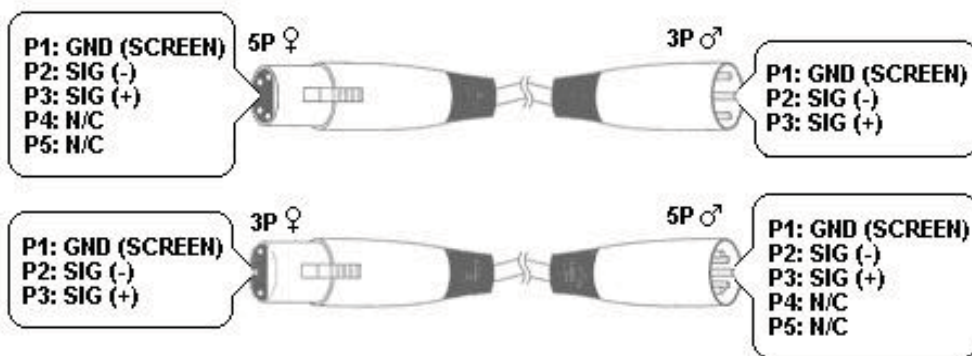
s	Connection	Pin
Brown	AC Live	1
Blue	AC Neutral	2
Green/Yellow	AC Ground	3

DMX Signal Connection

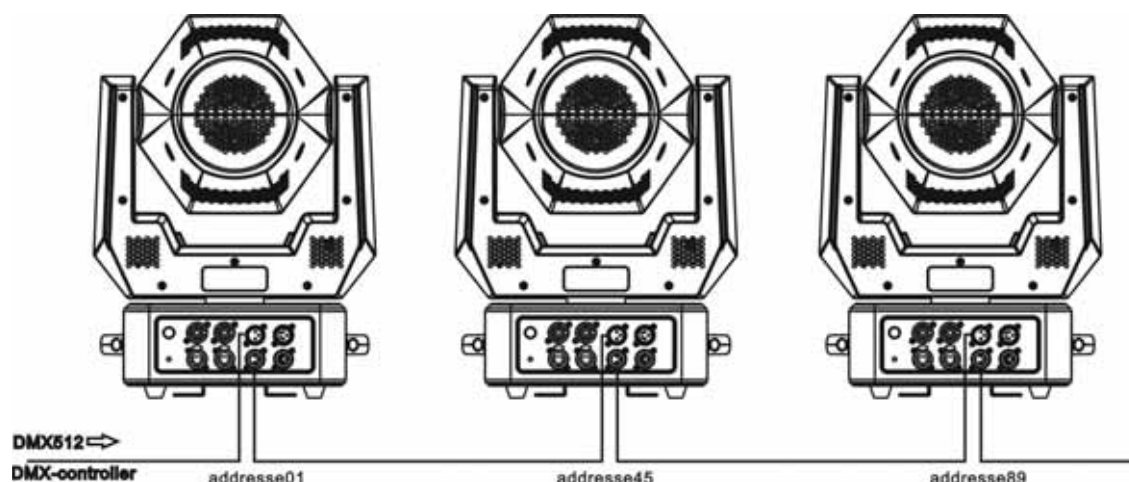
1. Use DMX512 controller, use the DMX signal (male) to plug into the first light (female) 3 pin.
2. Put out of the equipment of the first signal wire (head), connected to the equipment of the next 3 pin plug (female), so on. See below pictures.



How to turn the controller line from 3-pins into 5-pins (plug and socket).



DMX Address setting



Operating Instruction

Control board function

Button	Function
Mode	Choose mode or function exit
ENTER	Current show menu or enter into the current selected function
UP	Increase the value
DOWN	Decrease the value

- When the spotlight is properly connected to the mains, “Software Update ,Please Wait” (only for internal purposes), “Welcome to LED Moving Head”, the modelname and software version appear successively on the display during the start-up process. After this operation, the spotlight is ready for use and starts in the mode that was previously selected.
- If one of the DMX operating modes is activated and there is no DMX signal at the DMX input, the display starts to flash after a few seconds.
- After approximately 30 seconds of inactivity, the display will automatically show the currently active operating mode.
- Fast Access Feature: In order to simplify the menu guide, the device has an intelligent menu structure which allows menu and sub-menu items that were last selected to be accessed directly. 1. Pressing MODE and ENTER simultaneously will take you directly to the sub-menu item that was last edited and allows you to instantly change the corresponding value as desired (DMX start address and all operating modes). 2. Pressing MODE will take you directly to the menu item that was last selected and edited; now press ENTER to instantly access the sub-menu item that was selected and edited last (DMX start address and all operating modes).

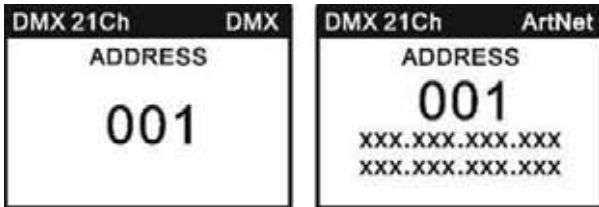
Menu Map



Menu Instruction:

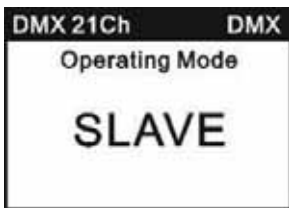
MAIN DISPLAY DMX MODE

In the upper line of the display,the DMX (DMX 21Ch, 44Ch,128Ch)is display and the DMX start address is prominently shown in the centre(for example DMX21Ch and ADDRESS 001).As soon as the DMX signal is interrupted,the display starts flashing; if the DMX signal is present again,the display stops flashing.



MAIN DISPLAY SLAVE MODE

In the upper line the display,the preset DMX is displayed and “SALVE”is prominently shown in the center. As soon as the control signal is interrupted, the display starts flashing;if the control signal is present again, the display stops flashing.



MAIN DISPLAY STANDALONE MODE

In the upper line of display,the preset DMX mode is displayed and the currently activated Sound mode,Auto mode, or Static mode.



SETTING THE DMX START ADDRESS(ADDRESS)

Pressing MODE will take you the selection menu for system setting.Using UP and DOWN,select the menu item“ADDRESS”(colored background)and confirm with ENTER.This is followed by the display of the menu item“Set DMX Address”.Press ENTER again to select the DMX start address as desired button using the UP and DOWM button. If the start address is changed,the address color changes to red. Confirm with ENTER and Press MODE twice to return to the main display.The main display is automatically activated if no input is made within about 30 seconds.

DMX 21Ch	DMX
DMX Address	001
MODE	Yes
Settings	
Network Setting	
System Info	

DMX 21Ch	DMX
Set DMX Address	001

DMX 21Ch	DMX
Set DMX Address	
^	
001	
v	

SETTING THE DMX SIGNAL SELECT(DMX SIGNAL SELECT)

Pressing MODE will take you to the selection menu for system settings. Using UP and DOWN, select the menu item "MODE" (colored background) and confirm with ENTER. Now use the UP and DOWN buttons once more to select the "DMX SIGNAL SELECT" sub-menu item and confirm button pressing ENTER. Using UP and DOWN, select the desired DMX mode (DMX, ArtNet) and confirm with ENTER. Press MODE twice to return to the main display. The main display is automatically activated if no input is made within about 30 seconds. You will find tables with the channels of the different DMX Signal in this manual under DMX SIGNAL CONTROL.

DMX 21Ch	DMX
DMX Address	001
MODE	Yes
Settings	
Network Setting	
System Info	

DMX 21Ch	DMX
DMX Signal Select	
DMX Mode	DMX 21Ch
Slave	
Auto	
Sound	
Static	

DMX 21Ch	DMX
DMX	Yes
ArtNet	

DMX 21Ch	ArtNet
DMX	
ArtNet	Yes

SETTING THE DMX MODE(DMX MODE)

Pressing MODE will take you to the selection menu for system settings. Using UP and DOWN, select the menu item "MODE" (colored background) and confirm with ENTER. Now use the UP and DOWN buttons once more to select the "DMX MODE" sub-menu item and confirm button pressing ENTER. Using UP and DOWN, select the desired DMX mode (DMX 21Ch, DMX 44Ch, DMX 128) and confirm with ENTER. Press MODE twice to return to the main display. The main display is automatically activated if no input is made within about 30 seconds. You will find tables with the channels of the different DMX modes in this manual under DMX CONTROL.

DMX 21Ch	DMX
DMX Address	001
MODE	Yes
Settings	
Network Setting	
System Info	

DMX 21Ch	DMX
DMX Signal Select	
DMX Mode	Yes
Slave	
Auto	
Sound	
Static	

DMX 21Ch	DMX
DMX 21Ch	
DMX 44Ch	
DMX 128Ch	Yes

SETTING THE SLAVE MODE(Slave)

Pressing MODE will take you to the selection menu for system settings. Using UP and DOWN, select the menu item “MODE” (colored background) and confirm with ENTER. Now use the UP and DOWN buttons once more to select the “DMX MODE” sub-menu item and confirm button pressing ENTER and press MODE twice to return to the main display. The main display is automatically activated if no ID is made within about 30 seconds. Connect the slave and the master unit (same model) with a DMX cable and activate one of the standalone modes (Auto, Static, Sound) on the master unit. Now the slave unit follows the master unit.

DMX 21Ch	DMX
DMX Address	001
MODE	Yes
Settings	
Network Setting	
System Info	

DMX 21Ch	DMX
DMX Signal Select	
DMX Mode	
Slave	Yes
Auto	
Sound	
Static	

SETTING THE AUTOMATIC CONTROL MODE(Auto)

Pressing MODE will take you to the selection menu for system settings. Using UP and DOWN, select the menu item “MODE” (colored background) and confirm with ENTER. Now use the UP and DOWN buttons once more to select the “Auto” sub-menu item and confirm button pressing ENTER. Using UP and DOWN, you can now select between Auto additional sub-menu items “Auto Program” and “Auto Speed”. Select “Auto Program”, Press ENTER. If set the “Auto Speed”, Press ENTER again to select the auto auto speed (000-255) as desired button using the UP and DOWN buttons.

DMX 21Ch	DMX
DMX Address	001
MODE	Yes
Settings	
Network Setting	
System Info	

DMX 21Ch	DMX
DMX Signal Select	
DMX Mode	
Slave	
Auto	
Sound	
Static	

DMX 21Ch	DMX
Auto Program	
Auto Speed	

DMX 21Ch	DMX
Auto Program	
Auto Speed	

DMX 21Ch	DMX
Auto Speed	
^	
000	
v	

Sound MODE(Sound)

Pressing MODE will take you to the selection menu for system settings. Using UP and DOWN, select the menu item “MODE” (colored background) and confirm with ENTER. Now use the UP and DOWN buttons once more to select the “Sound” sub-menu item and confirm button pressing ENTER. Using UP and DOWN, you can now select Sound mode, the ENTER key operation, operate UP or DOWN key choice acoustic sensitivity adjustment (000-255).

DMX 21Ch	DMX
DMX Address	001
MODE	Yes
Settings	
Network Setting	
System Info	

DMX 21Ch	DMX
DMX Signal Select	
DMX Mode	
Slave	
Auto	
Sound	
Static	

DMX 21Ch	DMX
Sensitivity	

DMX 21Ch	DMX
Sensitivity	
^	
000	
v	

STATIC MODE(Static)

In the same way as with a DMX control unit, the static mode allows you adjust an functions such as Pan.Pan fine,Tilt,Tilt fine,Dimmer ,Strobe,Colour wheel,Gobo wheel,Prism and directly on the device with values from 000 to 255.Thus, an individual scene can be created without an additional DMX controller ,pressing MODE will take you to the selection menu for system settings .Using UP and Down, select the menu item“Static”(coloredbackground)and confirm with ENTER, Use the UP and DOWN buttons to select the function of the LED Moving head that you wish to edit and confirm button pressing ENTER.The alue(Pan,Pan fine,,Tilt,Tilt fine,Dimmer , Strobe,Colour wheel,Gobo wheel, Prism,etc., see list)of the corresponding function can now be set from 000-255 and press ENTER to confirm the input. Once all of the parameters have been set as desired, press MODE three to the main display. The main display is automatically activated if no input made within 30 seconds.

DMX 21Ch	DMX
DMX Address	001
MODE	Yes
Settings	
Network Setting	
System Info	

DMX 21Ch	DMX
DMX Signal Select	
DMX Mode	
Slave	
Auto	
Sound	
Static	

DMX 21Ch	DMX
Pan	xxx
Pan Fine	xxx
:	
:	
:	
Dimmer Fine	xxx

DMX 21Ch	DMX
Pan	
^	
000	
v	

STATIC				
Pan	000	-	255	0%-100%
Pan fine	000	-	255	0%-100%
Tilt	000	-	255	0%-100%
Tilt fine	000	-	255	0%-100%
Dimmer	000	-	255	0% -100%
Dimmer fine	000	-	255	0% -100%
Strobe	000	-	005	Strobe open
	006		010	Strobe closed
	011	-	033	Plus Random, slow->fast
	034	-	056	Ramp up Random, slow -> fast
	057-	-	079	Ramp down Random, slow -> fast
	080	-	102	Random Strobe Effect, slow -> fast

	103	-	127	Strobe Break Effect, 5s.....1s (Short burst with break)
	128	-	250	Strobe slow -> fast <1Hz - 20Hz
	251	-	255	Strobe open
Colour wheel	000	-	003	Colour off(Open)
	006	-	011	Split Colour Open-Congo
	012	-	017	Congo
	018	-	023	Split Colour Congo-Red
	024	-	029	Red
	030	-	035	Split Colour Red-Fluorescent Green
	036	-	041	Fluorescent Green
	042	-	047	Split Colour Fluorescent Green -Blue
	048	-	053	Blue
	054	-	059	Split Colour Blue -Orange
	060	-	065	Orange
	066	-	071	Split Colour Orange-Light Green
	072	-	077	Light Green
	078	-	083	Split Colour Light Green -Pink
	084	-	089	Pink
	090	-	095	Split Colour Pink-CTB
	096	-	101	CTB
	102	-	107	Split Colour CTB-Lavender
	108	-	113	Lavender
	114	-	119	Split Colour Lavender -Green
	120	-	125	Green
	126	-	131	Split Colour Green-Purple
	132	-	137	Purple
	138	-	143	Split Colour Purple -Cyan
	144	-	149	Cyan
	150	-	155	Split Colour Cyan-Yellow
	156	-	161	Yellow
	162	-	167	Split Colour Yellow-CTO(3000K)
	168	-	173	CTO(3000K)
	174	-	179	Split Colour CTO(3000K)-Open
180	-	185	Open	
186	-	218	Colour Wheel Rotation fast-> slow CW	
219	-	222	Colour Wheel Stop	
223	-	255	Colour Wheel Rotation slow->fast CCW	
Gobo wheel	000	-	001	Open

	002	-	007	Aperture1
	008	-	013	Aperture2
	014	-	019	Aperture3
	020	-	025	Gobo1
	026	-	031	Gobo2
	032	-	037	Gobo3
	038	-	043	Gobo4
	044	-	049	Gobo5
	050	-	055	Gobo6
	056	-	061	Gobo7
	062	-	067	Gobo8
	068	-	073	Gobo9
	074	-	079	Gobo10
	080	-	085	Gobo11
	086	-	091	Open Snake Slow->Fast
	092	-	097	Aperture1 Snake Slow->Fast
	098	-	103	Aperture2 Snake Slow->Fast
	104	-	109	Aperture3 Snake Slow->Fast
	110	-	115	Gobo1 Snake Slow->Fast
	116	-	121	Gobo2 Snake Slow->Fast
	122	-	127	Gobo3 Snake Slow->Fast
	128	-	133	Gobo4 Snake Slow->Fast
	134	-	139	Gobo5 Snake Slow->Fast
	140	-	145	Gobo6 Snake Slow->Fast
	146	-	151	Gobo7 Snake Slow->Fast
	152	-	157	Gobo7 Snake Slow->Fast
	158	-	163	Gobo9 Snake Slow->Fast
	164	-	169	Gobo10 Snake Slow->Fast
	170	-	175	Gobo11Snake Slow->Fast
	176	-	187	Effect Area 1 - Stepless Fade Through
	188	-	199	Effect Area 2 - Stepless Fade Through
	200	-	211	Effect Area 1 - Oscillate ->Fast->Stop
	212	-	223	Effect Area 2 - Oscillate ->Fast->Stop
	224	-	239	Continuous CW Gobo Wheel Spin->Slow->Fast
	240	-	255	Continuous CW Gobo Wheel Spin->Fast>Slow
Prism wheel	000	-	127	Prism Wheel off
	128	-	255	Prism Wheel on
Prism Rotation	000	-	127	Prism Position 0-360°

	128			Prism Rotation Stop
	129	-	191	Prism Rotation, Slow -> Fast, CW
	192	-	254	Prism Rotation, Fast -> Slow, CCW
	255			Prism Rotation Stop
6 line Prism wheel	000	-	127	6 line Prism wheel off
	128	-	255	6 line Prism wheel on
6 line Prism wheel Rotation	000	-	127	Prism Position 0-360°
	128			Prism Rotation Stop
	129	-	191	Prism Rotation, Slow -> Fast, CW
	192	-	254	Prism Rotation, Fast -> Slow, CCW
	255			6 Line Prism Rotation Stop
Foucs	000	-	255	0%-100%
Focus fine	000	-	255	0%-100%
Colourful and frost	000	-	130	No function
	131	-	255	Frost
Pan/Tilt speed	000	-	255	Pan/Tilt Speed ->Fast->Slow
Dimmer Curve	000	-	005	No Function
	006	-	063	Linear Dimmer Curve
	064	-	127	Exponential Dimmer Curve
	128	-	191	Logarithmic Dimmer Curve
	192	-	255	S-Curve Dimmer Curve
Device settings	000	-	005	No function
	006	-	030	Blackout while Moving on (Hold 5s)
	031	-	055	Blackout while Moving off (Hold 5s)
	056	-	080	Invert Pan on (Hold 5s)
	081	-	105	Invert Pan off (Hold 5s)
	106	-	130	Invert Tilt off (Hold 5s)
	131	-	155	Invert Tilt off (Hold 5s)
	156	-	180	Dimmer Response LED (Hold 5s)
	181	-	205	Dimmer Response Halogen (Hold 5s)
	206	-	230	silent Fan on (Hold 5s)
	231	-	255	silent Fan off (Hold 5s)
Reset	000	-	005	No Function
	006	-	127	Reset Pan/Tilt (Hold 5s)
	128	-	191	Reset Effects (Iris,Prism,Gobo...) (Hold 5s)
	192	-	255	Reset All Functions(Hold 5s)
Layer1 Dimmer	000	-	255	Dimmer Colour Ring 0%-100%
Layer1 Red1	000	-	255	Red 1 - Background or 2nd FX colour 0%-100%

Layer1 Green1	000	-	255	Green 1 - Background or 2nd FX colour 0%-100%
Layer1 Blue1	000	-	255	Blue 1 - Background or 2nd FX colour 0%-100%
Layer1 Red2	000	-	255	Red 1 - Background or 2nd FX colour 0%-100%
Layer1 Green2	000	-	255	Green 1 - Background or 2nd FX colour 0%-100%
Layer1 Blue2	000	-	255	Blue 1 - Background or 2nd FX colour 0%-100%
Layer1 FX	000	-	255	FX Select(See table below)
Layer1 Rotate	001	-	127	Forwards Rotation (fast -> slow)
	128			Pause rotate
	129	-	255	Backwards Rotation (slow -> fast)
Layer1 Repeat	000	-	063	x2
	064	-	127	x4
	128	-	191	x8
	192		255	Full
Layer1 Direction	000	-	063	Forwards
	064	-	127	Reverse
	128	-	191	Mirror Out
	192	-	255	Mirror In
Layer1 Rotate offset	000	-	255	ets start point of rotating effects over each port
Layer2 Dimmer	000	-	255	Dimmer Colour Ring 0%-100%
Layer2 Red1	000	-	255	Red 1 - Background or 2nd FX colour 0%-100%
Layer2 Green1	000	-	255	Green 1 - Background or 2nd FX colour 0%-100%
Layer2 Blue1	000	-	255	Blue 1 - Background or 2nd FX colour 0%-100%
Layer2 Red2	000	-	255	Red 1 - Background or 2nd FX colour 0%-100%
Layer2 Green2	000	-	255	Green 1 - Background or 2nd FX colour 0%-100%
Layer2 Blue2	000	-	255	Blue 1 - Background or 2nd FX colour 0%-100%
Layer2 FX	000	-	255	FX Select(See table below)
Layer2 Rotate	001	-	127	Forwards Rotation (fast -> slow)
	128			Pause rotate
	129	-	255	Backwards Rotation (slow -> fast)
Layer2 Repeat	000	-	063	x2
	064	-	127	x4
	128	-	191	x8
	192		255	Full
Layer2 Direction	000	-	063	Forwards
	064	-	127	Reverse
	128	-	191	Mirror Out
	192	-	255	Mirror In
Layer2 Rotate offset	000	-	255	ets start point of rotating effects over each port

DEVICE SETTINGS(Setting)

Pressing MODE will take you to the selection menu for system settings. Using UP and DOWN, select the menu item “ Setting ” (colored background) and confirm with ENTER. You will then be taken to the sub-menu to set the sub-menu items(set list).The main display is automatically activated if no input is made within about 30 seconds.

DMX 21Ch	DMX
DMX Address	001
MODE	Yes
Settings	
Network Setting	
System Info	

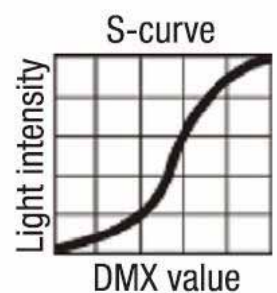
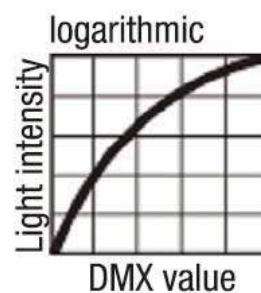
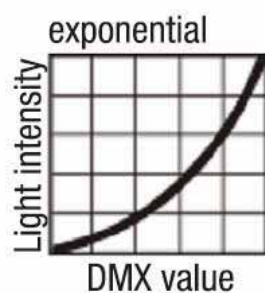
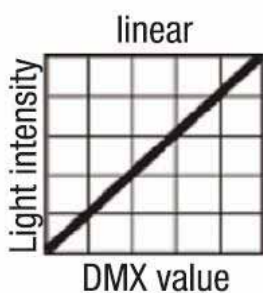
DMX 21Ch	DMX
Display Rev	xxx
Display	xxx
DMX Fail	xxx
DimCurve	xxx
DimRespe	xxx
Pan Rev	xxx

DMX 21Ch	DMX
ON	Yes
OFF	

setting				
Display Rev	=	Flip Display	ON	=Rotation of the display by 180°(e.g.over head installation)
			OFF	=no rotation of the display
Display	=	Display lighting	ON	=permanently on
			OFF	=deactivation after approx.1 minutes of inactivity
DMX Fail	=	Operation status with DMX signal interruption	Hold	=last command is held
			Blackout	=activates Blackout
Dimmer Curve	=	Dimmer Curve	Linear	=The light intensity increases linearly with the DMX value
			Exp	=Adjustment of the light intensity is finer in the lower DMX value range and coarser in the upper DMX value range
			Log	=Adjustment of the light intensity is coarser in the lower DMX value range and finer in the upper DMX value range
			S Curve	=Adjustment of the light intensity is finer in the lower and upper DMX value ranges and coarser in the middle DMX value range
Dimmer Response	=	Dimmer response	LED	=The spotlight responds abruptly to changes in the DMX value
			Halogen	=The spot behaves in a manner similar to that of a halogen lamp with gentle changes in brightness
Pan Rev	=	Pan Reverse	ON	=Reversal of the Pan direction
			OFF	=no reversal of the Pan direction
Tilt	=	Tilt Reverse	ON	=Reversal of the Tilt direction
			OFF	=no reversal of the Tilt direction

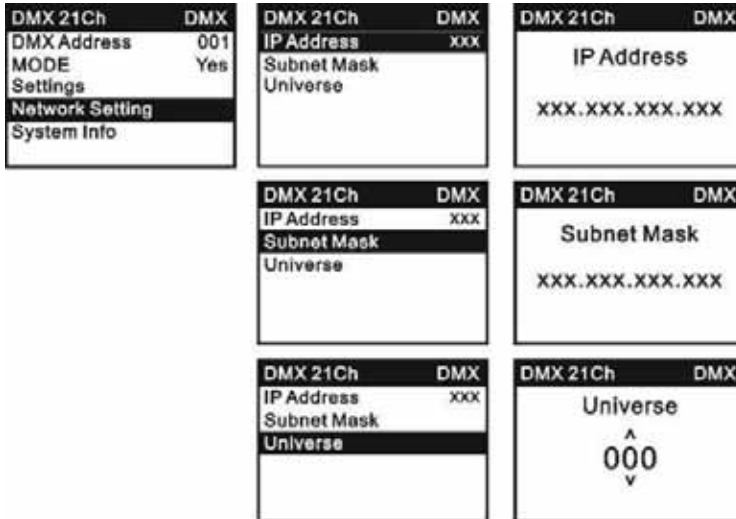
Pan Angle	=	Pan Angle	540	=Pan angle 540°
			630	=Pan angle 630°
Feedback	=	Position correction	ON	=activates automatic position correction
			OFF	=deactivates automatic position correction
Calibrate	=	Correction the position of pan,Tilt,colour wheel,gobo wheel,prism,6 line prism,6 line prism Rot and Frost	Pan	=Pan adjust
			Tilt	=Tilt adjust
			Colour wheel	= Colour wheel adjust
			Gobo wheel	= Gobo wheel adjust
			Prism	= Prism adjust
			6 Line Prism	=6 Line Prism adjust
			6 Line Prism Rot	=6 Line Prism Rot adjust
			Focus	= Focus adjust
			Frost	= Frost adjust
Fan Set	=	Fan speed	Regular	=maximum brightness at normal fan function
			Silent	=if necessary, reduced brightness with silent fan
Test	=	Function test	ON	=step-by-step function test of LED and all motors (Pan, Tilt, Gobo...)
			OFF	=stops the function
Reset	=	Reset	Pan&Tilt	= Resetting of the Pan & Tilt motors
			Head	= Resetting all Head motors (colour wheel, gobo wheel, prism...)
			All	= Resetting all motors and settings
Factory Reset		Reset to factory set	ON	=Do not perform reset
			OFF	= Reset to factory setting

DIMMER CURVES



NETWORK SETTINGS (Network Setting)

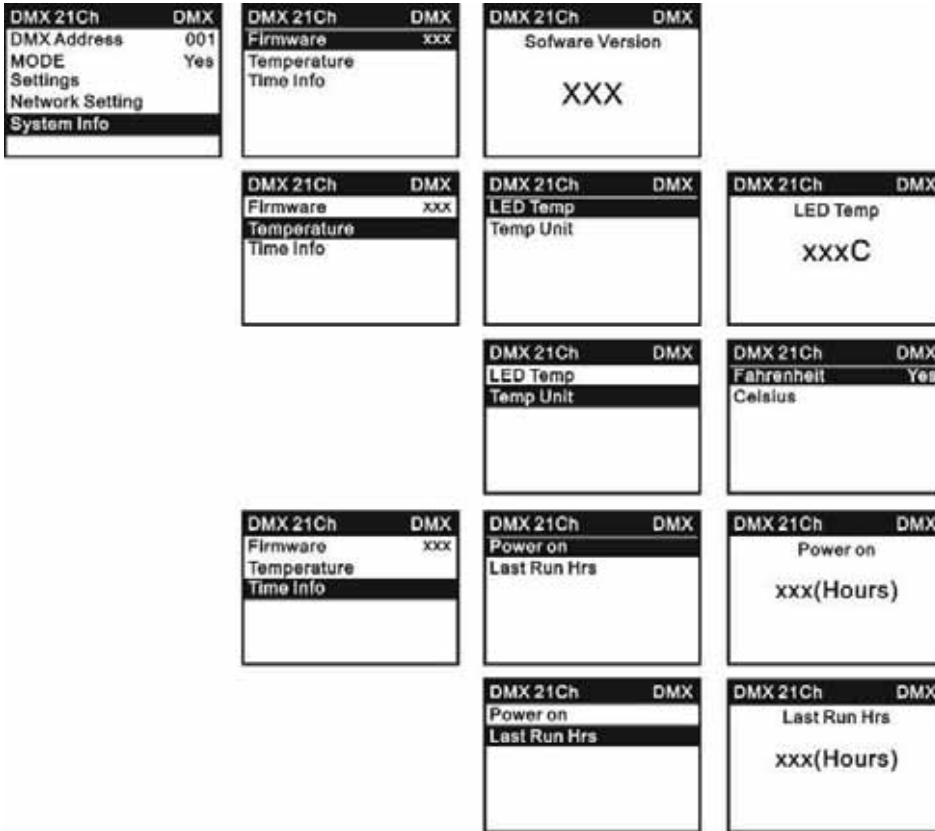
Pressing the MODE button will take you to the selection menu for system settings. Using the arrow buttons, select the menu item “Network Setting”(dark background) and confirm by pressing ENTER. You will then be taken to the sub-menu to set the following sub-menu items (select the submenu items with +, -, set with ENTER, +, -, ENTER)



Network setting				
IP Address	=	Set the IP address	Number1 000-255	Select the number1-4 by repeatedly pressing ENTER, Change the value with up and down
			Number2 000-255	
			Number3 000-255	
			Number4 000-255	
Subnet Mask	=	Adjust the subnet mask	Number1 000-255	Select the number1-4 by repeatedly pressing ENTER, Change the value with up and down
			Number2 000-255	
			Number3 000-255	
			Number4 000-255	
Universe	=	Selecting the DMX universe	000-255	Change the value with up and down

DEVICE INFORMATION(System Info)

Pressing MODE will take you to the selection menu for system settings. Using UP and DOWN, select the menu item “System Info” (colored background) and confirm with ENTER. You will then be taken to the sub-mune to display the device information. Use the UP and DOWN panels again to select the desired sub-menu item and then press ENTER to retrieve the information.



System Info				
Software Ver	=	Display the device software version		Vxxx
Temp info	=	Temperature display of the LED unit	LED Temp	XxC/xxF
			Temp Unit	Celsius(=display in degrees Celsius)
				Fahrenheit(=display in degrees Fahrenheit)
Time info	=	Operating time display	Power on	Displays the total operating time in hours
			Last run hrs	Displays the operating time since the last operation

Press the MODE button repeatedly to return to the main display. The main display is automatically activated if no input within about 30 seconds.

DMX Channel Table

21Ch mode						
Ch.	Function	Values				Sub-group
1	Pan	000	-	255	0%-100%	Pan
2	Pan fine	000	-	255	0%-100%	
3	Tilt	000	-	255	0%-100%	Tilt
4	Tilt fine	000	-	255	0%-100%	
5	Dimmer	000	-	255	0%-100%	Dimmer
6	Strobe functions	000	-	005	Strobe open	Multifunctional -strobe
		006	-	010	Strobe closed	
		011	-	033	Plus Random, slow->fast	
		034	-	056	Ramp up Random, slow -> fast	
		057	-	079	Ramp down Random, slow -> fast	
		080	-	102	Random Strobe Effect, slow -> fast	
		103	-	127	Strobe Break Effect, 5s.....1s (Short burst with break)	
		128	-	250	Strobe slow -> fast <1Hz - 20Hz	
		251	-	255	Strobe open	
7	Colour wheel	000	-	005	Colour off(Open)	Colour wheel
		006	-	011	Split Colour Open-Congo	
		012	-	017	Congo	
		018	-	023	Split Colour Congo-Red	
		024	-	029	Red	
		030	-	035	Split Colour Red-Fluorescent Green	
		036	-	041	Fluorescent Green	
		042	-	047	Split Colour Fluorescent Green -Blue	
		048	-	053	Blue	
		054	-	059	Split Colour Blue -Orange	
		060	-	065	Orange	
		066	-	071	Split Colour Orange-Light Green	
		072	-	077	Light Green	

		078	-	083	Split Colour Light Green -Pink	
		084	-	089	Pink	
		090	-	095	Split Colour Pink-CTB	
		096	-	101	CTB	
		102	-	107	Split Colour CTB-Lavender	
		108	-	113	Lavender	
		114	-	119	Split Colour Lavender -Green	
		120	-	125	Green	
		126	-	131	Split Colour Green-Purple	
		132	-	137	Purple	
		138	-	143	Split Colour Purple -Cyan	
		144	-	149	Cyan	
		150	-	155	Split Colour Cyan-Yellow	
		156	-	161	Yellow	
		162	-	167	Split Colour Yellow-CTO(3000K)	
		168	-	173	CTO(3000K)	
		174	-	179	Split Colour CTO(3000K)-Open	
		180	-	185	Open	
		186	-	218	Colour Wheel Rotation fast-> slow CW	
		219	-	222	Colour Wheel Stop	
		223	-	255	Colour Wheel Rotation slow->fast CCW	
8	Gobo wheel	000	-	001	Open	Gobo wheel
		002	-	007	Aperture1	
		008	-	013	Aperture2	
		014	-	019	Aperture3	
		020	-	025	Gobo1	
		026	-	031	Gobo2	
		032	-	037	Gobo3	
		038	-	043	Gobo4	
		044	-	049	Gobo5	
		050	-	055	Gobo6	

		056	-	061	Gobo7	
		062	-	067	Gobo8	
		068	-	073	Gobo9	
		074	-	079	Gobo10	
		080	-	085	Gobo11	
		086	-	091	Open Snake Slow->Fast	
		092	-	097	Aperture1 Snake Slow->Fast	
		098	-	103	Aperture2 Snake Slow->Fast	
		104	-	109	Aperture3 Snake Slow->Fast	
		110	-	115	Gobo1 Snake Slow->Fast	
		116	-	121	Gobo2 Snake Slow->Fast	
		122	-	127	Gobo3 Snake Slow->Fast	
		128	-	133	Gobo4 Snake Slow->Fast	
		134	-	139	Gobo5 Snake Slow->Fast	
		140	-	145	Gobo6 Snake Slow->Fast	
		146	-	151	Gobo7 Snake Slow->Fast	
		152	-	157	Gobo7 Snake Slow->Fast	
		158	-	163	Gobo9 Snake Slow->Fast	
		164	-	169	Gobo10 Snake Slow->Fast	
		170	-	175	Gobo11Snake Slow->Fast	
		176	-	187	Effect Area 1 - Stepless Fade Through	
		188	-	199	Effect Area 2 - Stepless Fade Through	
		200	-	211	Effect Area 1 - Oscillate ->Fast->Stop	
		212	-	223	Effect Area 2 - Oscillate ->Fast->Stop	
		224	-	239	Continuous CW Gobo Wheel Spin->Slow->Fast	
		240	-	255	Continuous CW Gobo Wheel Spin->Fast>Slow	
9	Prism Wheel	000	-	127	Prism Wheel off	Prism Wheel
		128	-	255	Prism Wheel on	
10	Prism Rotation	000	-	127	Prism Position 0-360°	Prism Rotation
		128			Prism Rotation Stop	
		129	-	191	Prism Rotation, Slow -> Fast, CW	

		192	-	254	Prism Rotation, Fast -> Slow, CCW	
		255			Prism Rotation Stop	
11	6 line Prism wheel	000	-	127	6 line Prism wheel off	6 line Prism wheel
		128	-	255	6 line Prism wheel on	
12	6Prism Rotation	000	-	127	6 Prism Position 0-360°	6Prism Rotation
		128			6 Prism Rotation Stop	
		129	-	191	6 Prism Rotation, Slow -> Fast, CW	
		192	-	254	6 Prism Rotation, Fast -> Slow, CCW	
		255			6 Prism Rotation Stop	
13	Focus	000	-	255	0%-100%	Focus
14	Frost	000	-	130	No function	Frost
		131	-	255	Frost	
15	Pan/Tilt speed	000	-	255	Pan/Tilt Speed ->Fast->Slow	Pan/Tilt speed
16	Reset	000	-	005	No function	Reset
		006	-	127	Reset Pan/Tilt (Hold 5s)	
		128	-	191	Reset Effects (Prism,Gobo...) (Hold 5s)	
		192	-	255	Reset All Functions (Hold 5s)	
17	Dimmer	000	-	255	Dimmer Colour Ring 0%-100%	Dimmer
18	Strobe	000	-	005	Strobe Colour Ring open	Strobe
		006	-	255	Strobe Colour Ring slow -> fast <1Hz - 20Hz	
19	Red	000	-	255	Red 0%-100%	Colour Ring
20	Green	000	-	255	Green 0%-100%	
21	Blue	000	-	255	Blue 0%-100%	

44Ch mode						
Ch.	Function	Values				Sub-group
1	Pan	000	-	255	0%-100%	Pan
2	Pan fine	000	-	255	0%-100%	
3	Tilt	000	-	255	0%-100%	Tilt
4	Tilt fine	000	-	255	0%-100%	
5	Dimmer	000	-	255	0%-100%	Dimmer

6	Dimmer fine	000	-	255	0%-100%	
7	Strobe functions	000	-	005	Strobe open	Multifunctional -strobe
		006	-	010	Strobe closed	
		011	-	033	Plus Random, slow->fast	
		034	-	056	Ramp up Random, slow -> fast	
		057	-	079	Ramp down Random, slow -> fast	
		080	-	102	Random Strobe Effect, slow -> fast	
		103	-	127	Strobe Break Effect, 5s.....1s (Short burst with break)	
		128	-	250	Strobe slow -> fast <1Hz - 20Hz	
		251	-	255	Strobe open	
8	Colour wheel	000	-	005	Colour off(Open)	Colour wheel
		006	-	011	Split Colour Open-Congo	
		012	-	017	Congo	
		018	-	023	Split Colour Congo-Red	
		024	-	029	Red	
		030	-	035	Split Colour Red-Fluorescent Green	
		036	-	041	Fluorescent Green	
		042	-	047	Split Colour Fluorescent Green -Blue	
		048	-	053	Blue	
		054	-	059	Split Colour Blue -Orange	
		060	-	065	Orange	
		066	-	071	Split Colour Orange-Light Green	
		072	-	077	Light Green	
		078	-	083	Split Colour Light Green -Pink	
		084	-	089	Pink	
		090	-	095	Split Colour Pink-CTB	
		096	-	101	CTB	
		102	-	107	Split Colour CTB-Lavender	
		108	-	113	Lavender	
114	-	119	Split Colour Lavender -Green			

		120	-	125	Green	
		126	-	131	Split Colour Green-Purple	
		132	-	137	Purple	
		138	-	143	Split Colour Purple -Cyan	
		144	-	149	Cyan	
		150	-	155	Split Colour Cyan-Yellow	
		156	-	161	Yellow	
		162	-	167	Split Colour Yellow-CTO(3000K)	
		168	-	173	CTO(3000K)	
		174	-	179	Split Colour CTO(3000K)-Open	
		180	-	185	Open	
		186	-	218	Colour Wheel Rotation fast-> slow CW	
		219	-	222	Colour Wheel Stop	
		223	-	255	Colour Wheel Rotation slow->fast CCW	
9	Gobo wheel	000	-	001	Open	Gobo wheel
		002	-	007	Aperture1	
		008	-	013	Aperture2	
		014	-	019	Aperture3	
		020	-	025	Gobo1	
		026	-	031	Gobo2	
		032	-	037	Gobo3	
		038	-	043	Gobo4	
		044	-	049	Gobo5	
		050	-	055	Gobo6	
		056	-	061	Gobo7	
		062	-	067	Gobo8	
		068	-	073	Gobo9	
		074	-	079	Gobo10	
		080	-	085	Gobo11	
		086	-	091	Open Snake Slow->Fast	
		092	-	097	Aperture1 Snake Slow->Fast	

		098	-	103	Aperture2 Snake Slow->Fast	
		104	-	109	Aperture3 Snake Slow->Fast	
		110	-	115	Gobo1 Snake Slow->Fast	
		116	-	121	Gobo2 Snake Slow->Fast	
		122	-	127	Gobo3 Snake Slow->Fast	
		128	-	133	Gobo4 Snake Slow->Fast	
		134	-	139	Gobo5 Snake Slow->Fast	
		140	-	145	Gobo6 Snake Slow->Fast	
		146	-	151	Gobo7 Snake Slow->Fast	
		152	-	157	Gobo7 Snake Slow->Fast	
		158	-	163	Gobo9 Snake Slow->Fast	
		164	-	169	Gobo10 Snake Slow->Fast	
		170	-	175	Gobo11Snake Slow->Fast	
		176	-	187	Effect Area 1 - Stepless Fade Through	
		188	-	199	Effect Area 2 - Stepless Fade Through	
		200	-	211	Effect Area 1 - Oscillate ->Fast->Stop	
		212	-	223	Effect Area 2 - Oscillate ->Fast->Stop	
		224	-	239	Continuous CW Gobo Wheel Spin->Slow->Fast	
		240	-	255	Continuous CW Gobo Wheel Spin->Fast>Slow	
10	Prism Wheel	000	-	127	Prism Wheel off	Prism Wheel
		128	-	255	Prism Wheel on	
11	Prism Rotation	000	-	127	Prism Position 0-360°	Prism Rotation
		128			Prism Rotation Stop	
		129	-	191	Prism Rotation, Slow -> Fast, CW	
		192	-	254	Prism Rotation, Fast -> Slow, CCW	
		255			Prism Rotation Stop	
12	6 line Prism wheel	000	-	127	6 line Prism wheel off	6 line Prism wheel
		128	-	255	6 line Prism wheel on	
13	6Prism Rotation	000	-	127	6 Prism Position 0-360°	6Prism Rotation
		128			6 Prism Rotation Stop	
		129	-	191	6 Prism Rotation, Slow -> Fast, CW	

		192	-	254	6 Prism Rotation, Fast -> Slow, CCW	
		255			6 Prism Rotation Stop	
14	Focus	000	-	255	0%-100%	Focus
15	Focus fine	000	-	255	0%-100%	
16	Frost	000	-	130	No function	Frost
		131	-	255	Frost	
17	Pan/Tilt speed	000	-	255	Pan/Tilt Speed ->Fast->Slow	Pan/Tilt speed
18	Dimmer Curve	000	-	005	No function	Dimmer Curve
		006	-	063	Linear Dimmer Curve	
		064	-	127	Exponential Dimmer Curve	
		128	-	191	Logarithmic Dimmer Curve	
		192	-	255	S-Curve Dimmer Curve	
19	Device settings	000	-	005	No function	
		006	-	030	Blackout while Moving on (Hold 5s)	
		031	-	055	Blackout while Moving off (Hold 5s)	
		056	-	080	Invert Pan on (Hold 5s)	
		081	-	105	Invert Pan off (Hold 5s)	
		106	-	130	Invert Tilt off (Hold 5s)	
		131	-	155	Invert Tilt off (Hold 5s)	
		156	-	180	Dimmer Response LED (Hold 5s)	
		181	-	205	Dimmer Response Halogen (Hold 5s)	
		206	-	230	silent Fan on (Hold 5s)	
		231	-	255	silent Fan off (Hold 5s)	
20	Reset	000	-	005	No function	Reset
		006	-	127	Reset Pan/Tilt (Hold 5s)	
		128	-	191	Reset Effects (Prism,Gobo...) (Hold 5s)	
		192	-	255	Reset All Functions (Hold 5s)	
Layer1						
21	Dimmer	000	-	255	Dimmer Colour Ring 0%-100%	Dimmer
22	Red1	000	-	255	Red 1 - Background or 2nd FX colour 0%-100%	Colour Ring
23	Green1	000	-	255	Green 1 - Background or 2nd FX colour 0%-100%	

24	Blue1	000	-	255	Blue 1 - Background or 2nd FX colour 0%-100%	
25	Red2	000	-	255	Red 2 - Main FX colour 0%-100%	
26	Green2	000	-	255	Green 2 - Main FX colour 0%-100%	
27	Blue2	000	-	255	Blue 2 - Main FX colour 0%-100%	
28	Fx Select	000	-	255	Fx Select(See table below)	Fx Select
29	Rotate	000	-	127	Forwards Rotation (fast -> slow)	Rotate
		128			Pause rotate	
		129	-	255	Backwards Rotation (slow -> fast)	
30	Repeat	000	-	063	x2	Repeat
		064	-	127	x4	
		128	-	191	x8	
		192	-	255	Full	
31	Direction	000	-	063	Forwards	Direction
		064	-	127	Reverse	
		128	-	191	Mirror Out	
		192	-	255	Mirror In	
32	Rotate offset	000	-	255	Offsets start point of rotating effects over each port	Rotate offset
Layer2						
33	Dimmer	000	-	255	Dimmer Colour Ring 0%-100%	Dimmer
34	Red1	000	-	255	Red 1 - Background or 2nd FX colour 0%-100%	Colour Ring
35	Green1	000	-	255	Green 1 - Background or 2nd FX colour 0%-100%	
36	Blue1	000	-	255	Blue 1 - Background or 2nd FX colour 0%-100%	
37	Red2	000	-	255	Red 2 - Main FX colour 0%-100%	
38	Green2	000	-	255	Green 2 - Main FX colour 0%-100%	
39	Blue2	000	-	255	Blue 2 - Main FX colour 0%-100%	
40	Fx Select	000	-	255	Fx Select(See table below)	Fx Select
41	Rotate	000	-	127	Forwards Rotation (fast -> slow)	Rotate
		128			Pause rotate	
		129	-	255	Backwards Rotation (slow -> fast)	
42	Repeat	000	-	063	x2	Repeat

		064	-	127	x4	
		128	-	191	x8	
		192	-	255	Full	
43	Direction	000	-	063	Forwards	Repeat
		064	-	127	Reverse	
		128	-	191	Mirror Out	
		192	-	255	Mirror In	
44	Rotate offset	000	-	255	Offsets start point of rotating effects over each port	Rotate offset

128Ch mode						
Ch.	Function	Values				Sub-group
1	Pan	000	-	255	0%-100%	Pan
2	Pan fine	000	-	255	0%-100%	
3	Tilt	000	-	255	0%-100%	Tilt
4	Tilt fine	000	-	255	0%-100%	
5	Dimmer	000	-	255	0%-100%	Dimmer
6	Dimmer fine	000	-	255	0%-100%	
7	Strobe functions	000	-	005	Strobe open	Multifunctional -strobe
		006	-	010	Strobe closed	
		011	-	033	Plus Random, slow->fast	
		034	-	056	Ramp up Random, slow -> fast	
		057	-	079	Ramp down Random, slow -> fast	
		080	-	102	Random Strobe Effect, slow -> fast	
		103	-	127	Strobe Break Effect, 5s.....1s (Short burst with break)	
		128	-	250	Strobe slow -> fast <1Hz - 20Hz	
		251	-	255	Strobe open	
8	Colour wheel	000	-	005	Colour off(Open)	Colour wheel
		006	-	011	Split Colour Open-Congo	
		012	-	017	Congo	

018	-	023	Split Colour Congo-Red
024	-	029	Red
030	-	035	Split Colour Red-Fluorescent Green
036	-	041	Fluorescent Green
042	-	047	Split Colour Fluorescent Green -Blue
048	-	053	Blue
054	-	059	Split Colour Blue -Orange
060	-	065	Orange
066	-	071	Split Colour Orange-Light Green
072	-	077	Light Green
078	-	083	Split Colour Light Green -Pink
084	-	089	Pink
090	-	095	Split Colour Pink-CTB
096	-	101	CTB
102	-	107	Split Colour CTB-Lavender
108	-	113	Lavender
114	-	119	Split Colour Lavender -Green
120	-	125	Green
126	-	131	Split Colour Green-Purple
132	-	137	Purple
138	-	143	Split Colour Purple -Cyan
144	-	149	Cyan
150	-	155	Split Colour Cyan-Yellow
156	-	161	Yellow
162	-	167	Split Colour Yellow-CTO(3000K)
168	-	173	CTO(3000K)
174	-	179	Split Colour CTO(3000K)-Open
180	-	185	Open
186	-	218	Colour Wheel Rotation fast-> slow CW
219	-	222	Colour Wheel Stop
223	-	255	Colour Wheel Rotation slow->fast CCW

9	Gobo wheel	000	-	001	Open	Gobo wheel
		002	-	007	Aperture1	
		008	-	013	Aperture2	
		014	-	019	Aperture3	
		020	-	025	Gobo1	
		026	-	031	Gobo2	
		032	-	037	Gobo3	
		038	-	043	Gobo4	
		044	-	049	Gobo5	
		050	-	055	Gobo6	
		056	-	061	Gobo7	
		062	-	067	Gobo8	
		068	-	073	Gobo9	
		074	-	079	Gobo10	
		080	-	085	Gobo11	
		086	-	091	Open Snake Slow->Fast	
		092	-	097	Aperture1 Snake Slow->Fast	
		098	-	103	Aperture2 Snake Slow->Fast	
		104	-	109	Aperture3 Snake Slow->Fast	
		110	-	115	Gobo1 Snake Slow->Fast	
		116	-	121	Gobo2 Snake Slow->Fast	
		122	-	127	Gobo3 Snake Slow->Fast	
		128	-	133	Gobo4 Snake Slow->Fast	
		134	-	139	Gobo5 Snake Slow->Fast	
		140	-	145	Gobo6 Snake Slow->Fast	
		146	-	151	Gobo7 Snake Slow->Fast	
		152	-	157	Gobo7 Snake Slow->Fast	
		158	-	163	Gobo9 Snake Slow->Fast	
164	-	169	Gobo10 Snake Slow->Fast			
170	-	175	Gobo11Snake Slow->Fast			
176	-	187	Effect Area 1 - Stepless Fade Through			

		188	-	199	Effect Area 2 - Stepless Fade Through	
		200	-	211	Effect Area 1 - Oscillate ->Fast->Stop	
		212	-	223	Effect Area 2 - Oscillate ->Fast->Stop	
		224	-	239	Continuous CW Gobo Wheel Spin->Slow->Fast	
		240	-	255	Continuous CW Gobo Wheel Spin->Fast>Slow	
10	Prism Wheel	000	-	127	Prism Wheel off	Prism Wheel
		128	-	255	Prism Wheel on	
11	Prism Rotation	000	-	127	Prism Position 0-360°	Prism Rotation
		128		Prism Rotation Stop		
		129	-	191	Prism Rotation, Slow -> Fast, CW	
		192	-	254	Prism Rotation, Fast -> Slow, CCW	
		255		Prism Rotation Stop		
12	6 line Prism wheel	000	-	127	6 line Prism wheel off	6 line Prism wheel
		128	-	255	6 line Prism wheel on	
13	6Prism Rotation	000	-	127	6 Prism Position 0-360°	6Prism Rotation
		128		6 Prism Rotation Stop		
		129	-	191	6 Prism Rotation, Slow -> Fast, CW	
		192	-	254	6 Prism Rotation, Fast -> Slow, CCW	
		255		6 Prism Rotation Stop		
14	Focus	000	-	255	0%-100%	Focus
15	Focus fine	000	-	255	0%-100%	
16	Frost	000	-	130	No function	Frost
		131	-	255	Frost	
17	Pan/Tilt speed	000	-	255	Pan/Tilt Speed ->Fast->Slow	Pan/Tilt speed
18	Dimmer Curve	000	-	005	No function	Dimmer Curve
		006	-	063	Linear Dimmer Curve	
		064	-	127	Exponential Dimmer Curve	
		128	-	191	Logarithmic Dimmer Curve	
		192	-	255	S-Curve Dimmer Curve	
19	Device settings	000	-	005	No function	
		006	-	030	Blackout while Moving on (Hold 5s)	

		031	-	055	Blackout while Moving off (Hold 5s)	
		056	-	080	Invert Pan on (Hold 5s)	
		081	-	105	Invert Pan off (Hold 5s)	
		106	-	130	Invert Tilt off (Hold 5s)	
		131	-	155	Invert Tilt off (Hold 5s)	
		156	-	180	Dimmer Response LED (Hold 5s)	
		181	-	205	Dimmer Response Halogen (Hold 5s)	
		206	-	230	silent Fan on (Hold 5s)	
		231	-	255	silent Fan off (Hold 5s)	
20	Reset	000	-	005	No function	Reset
		006	-	127	Reset Pan/Tilt (Hold 5s)	
		128	-	191	Reset Effects (Prism,Gobo...) (Hold 5s)	
		192	-	255	Reset All Functions (Hold 5s)	
Layer1						
21	Dimmer	000	-	255	Dimmer Colour Ring 0%-100%	Dimmer
22	Red1	000	-	255	Red 1 - Background or 2nd FX colour 0%-100%	Colour Ring
23	Green1	000	-	255	Green 1 - Background or 2nd FX colour 0%-100%	
24	Blue1	000	-	255	Blue 1 - Background or 2nd FX colour 0%-100%	
25	Red2	000	-	255	Red 2 - Main FX colour 0%-100%	
26	Green2	000	-	255	Green 2 - Main FX colour 0%-100%	
27	Blue2	000	-	255	Blue 2 - Main FX colour 0%-100%	
28	Fx Select	000	-	255	Fx Select(See table below)	
29	Rotate	000	-	127	Forwards Rotation (fast -> slow)	Rotate
		128			Pause rotate	
		129	-	255	Backwards Rotation (slow -> fast)	
30	Repeat	000	-	063	x2	Repeat
		064	-	127	x4	
		128	-	191	x8	
		192	-	255	Full	
31	Direction	000	-	063	Forwards	Direction
		064	-	127	Reverse	

		128	-	191	Mirror Out	
		192	-	255	Mirror In	
32	Rotate offset	000	-	255	Offsets start point of rotating effects over each port	Rotate offset
Layer2						
33	Dimmer	000	-	255	Dimmer Colour Ring 0%-100%	Dimmer
34	Red1	000	-	255	Red 1 - Background or 2nd FX colour 0%-100%	Colour Ring
35	Green1	000	-	255	Green 1 - Background or 2nd FX colour 0%-100%	
36	Blue1	000	-	255	Blue 1 - Background or 2nd FX colour 0%-100%	
37	Red2	000	-	255	Red 2 - Main FX colour 0%-100%	
38	Green2	000	-	255	Green 2 - Main FX colour 0%-100%	
39	Blue2	000	-	255	Blue 2 - Main FX colour 0%-100%	
40	Fx Select	000	-	255	Fx Select(See table below)	
41	Rotate	000	-	127	Forwards Rotation (fast -> slow)	Rotate
		128			Pause rotate	
		129	-	255	Backwards Rotation (slow -> fast)	
42	Repeat	000	-	063	x2	Repeat
		064	-	127	x4	
		128	-	191	x8	
		192	-	255	Full	
43	Direction	000	-	063	Forwards	Repeat
		064	-	127	Reverse	
		128	-	191	Mirror Out	
		192	-	255	Mirror In	
44	Rotate offset	000	-	255	Offsets start point of rotating effects over each port	Rotate offset
45	Red pixel 1	000	-	255	Red pixel 1 0%-100%	Colour Ring
46	Green pixel 1	000	-	255	Green pixel 1 0%-100%	
47	Blue pixel 1	000	-	255	Blue pixel 1 0%-100%	
:	:	:	-	:	:	
:	:	:	-	:	:	

:	:	:	-	:	:
126	Red pixel 28	000	-	255	Red pixel 1 0%-100%
127	Green pixel 28	000	-	255	Green pixel 1 0%-100%
128	Blue pixel 28	000	-	255	Blue pixel 1 0%-100%

FX Select		
DMX	Function	Type of
000	Off	step
	One colour Paparazzi-Snap	
001	Example Effect	step
002	Slow- low density	step
003	Slow - medium density	step
004	Slow - high density	step
005	Slow - linear	step
006	Medium - low density	step
007	Medium - medium density	step
008	Medium - high density	step
009	Medium - linear	step
010	Fast - low density	step
011	Fast- medium density	step
012	Fast - high density	step
013	Fast - linear	step
	One colour Paparazzi-Fade	
014	Example Effect	step
015	Slow- low density	step
016	Slow - medium density	step
017	Slow - high density	step
018	Slow - linear	step
019	Medium - low density	step
020	Medium - medium density	step
021	Medium - high density	step
022	Medium - linear	step
023	Fast - low density	step
024	Fast- medium density	step
025	Fast - high density	step
026	Fast - linear	step
	Two colour Paparazzi-Snap	step

027	Example Effect	
028	Slow- low density	step
029	Slow - medium density	step
030	Slow - high density	step
031	Slow - linear	step
032	Medium - low density	step
033	Medium - medium density	step
034	Medium - high density	step
035	Medium - linear	step
036	Fast - low density	step
037	Fast- medium density	step
038	Fast - high density	step
039	Fast - linear	step
	Two colour Paparazzi-Fade	
040	Example Effect	step
041	Slow- low density	step
042	Slow - medium density	step
043	Slow - high density	step
044	Slow - linear	step
045	Medium - low density	step
046	Medium - medium density	step
047	Medium - high density	step
048	Medium - linear	step
049	Fast - low density	step
050	Fast- medium density	step
051	Fast - high density	step
052	Fast - linear	step
	Trace 1-Uniform Decay	
053	Example Effect	step
054	Slow - short tail	step
055	Slow - medium tail	step
056	Slow- long tail	step
057	Medium -short tail	step
058	Medium - medium tail	step
059	Medium - long tail	step
060	Fast - short tail	step
061	Fast - medium tail	step
062	Fast - long tail	step

	Trace 2-Uniform Decay (colour mix)	
063	Example Effect	step
064	Slow - short tail	step
065	Slow - medium tail	step
066	Slow- long tail	step
067	Medium -short tail	step
068	Medium - medium tail	step
069	Medium - long tail	step
070	Fast - short tail	step
071	Fast - medium tail	step
072	Fast - long tail	step
	Trace 3-Uniform Colour	
073	Example Effect	step
074	Slow - short tail	step
075	Slow - medium tail	step
076	Slow- long tail	step
077	Medium -short tail	step
078	Medium - medium tail	step
079	Medium - long tail	step
080	Fast - short tail	step
081	Fast - medium tail	step
082	Fast - long tail	step
	Trace 4-Uniform Colour (colour mix with base)	
083	Example Effect	step
084	Slow - short tail	step
085	Slow - medium tail	step
086	Slow- long tail	step
087	Medium -short tail	step
088	Medium - medium tail	step
089	Medium - long tail	step
090	Fast - short tail	step
091	Fast - medium tail	step
092	Fast - long tail	step
	Jockey	
093	Example Effect	step
094	Smallest	step
095	..	step
096	..	step

097	..	step
098	..	step
099	..	step
100	..	step
101	..	step
102	Biggest	step
	Checkers	
103	Exam pie effects	step
104	1/2's	step
105	1/4's	step
106	1/8's	step
107	1/16's	step
108	1/32's	step
109	1/64's	step
110	Rotating 1/4's	step
111	Rotating 1/16's	step
112	Rotating 1/32's	step
	Colour Merge	
113	Example Effect	step
114	Full	step
115	Three Quarter	step
116	Half	step
117	Quarter	step
	Colour Wave	
118	Example Effect	step
119	V. Small	step
120	Small	step
121	Medium	step
122	Large	step
	Colour Wave (colour Mix)	
123	Example Effect	step
124	V. Small	step
125	Small	step
126	Medium	step
127	Large	step
	Sweep	
128	Example Effect	step
129	V. Slow	step

130	Slow	step
131	Medium	step
132	Fast	step
	Sweep Random	
133	V. Slow	step
134	Slow	step
135	Medium	step
136	Fast	step
137-240	Off	
	Pixel Map	
241-245	Mix with other Layer	proportional
246-250	Underneath other Layer	proportional
251-255	Above other Layer	proportional

Note: For 128 channels, to use the pixel mapping function, you must select the DMX value 241-255 on the FX Select channel to enable this function